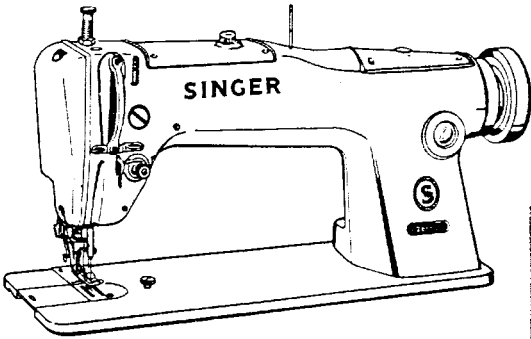
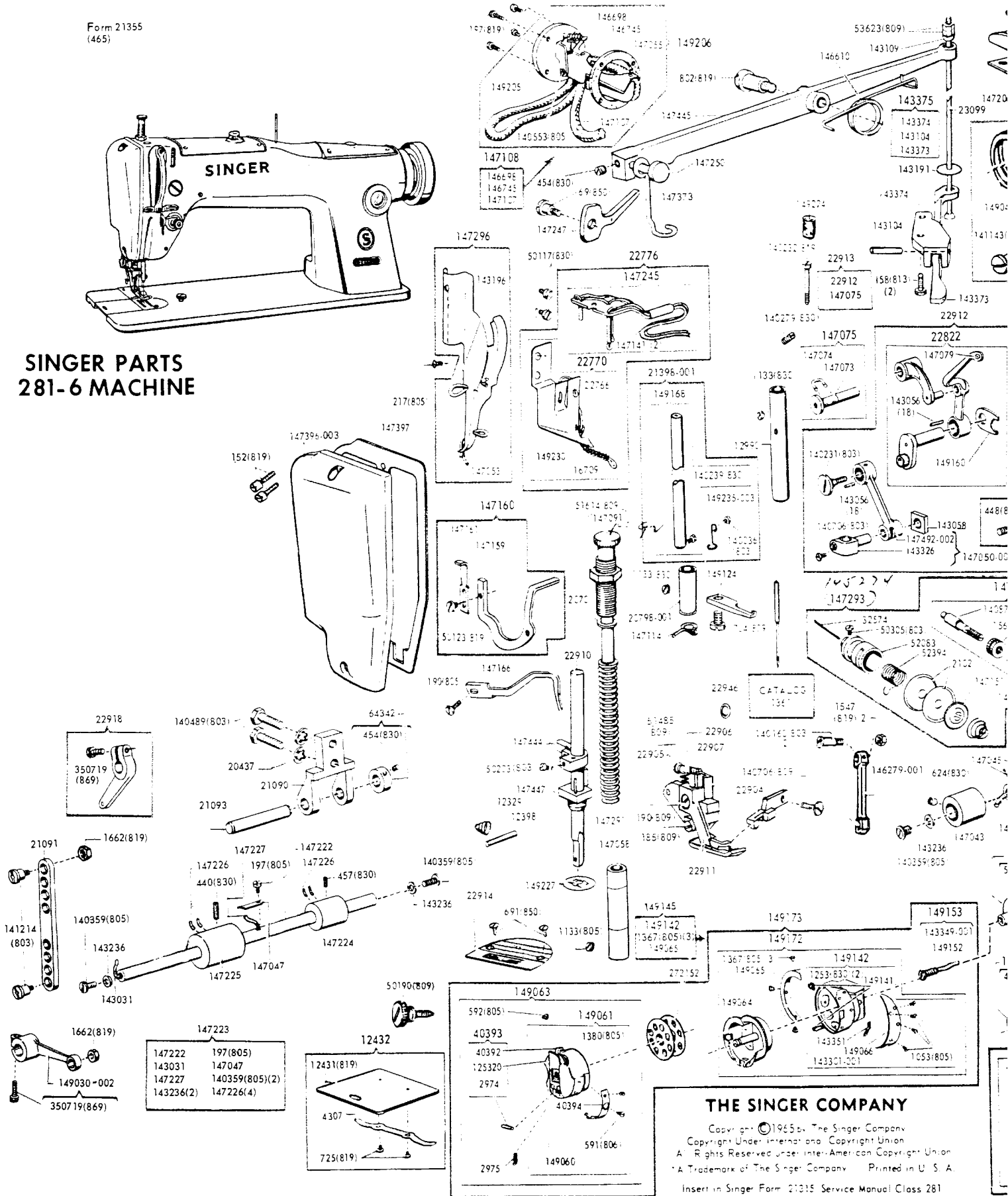


SINGER
281-6



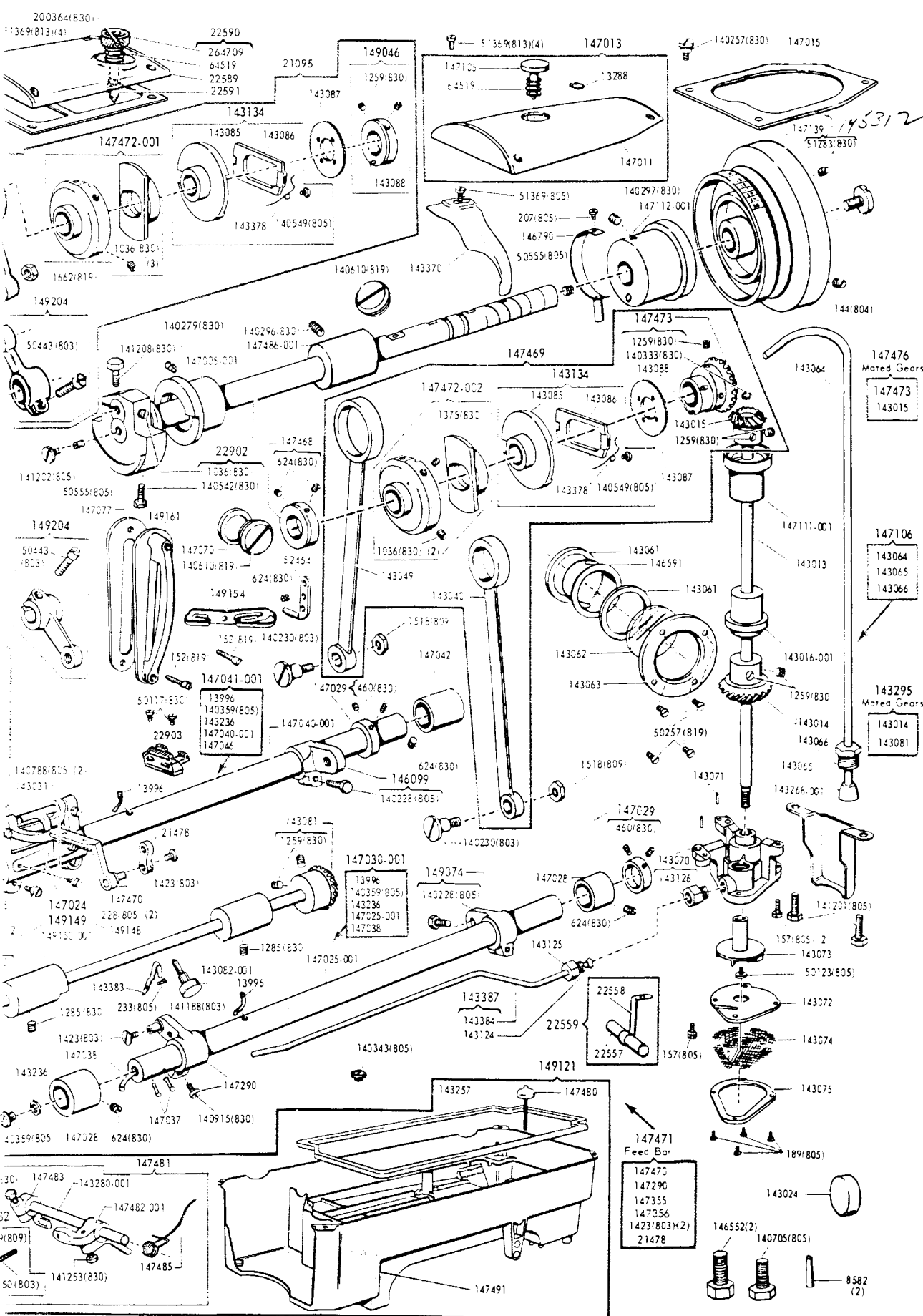
SINGER PARTS 281-6 MACHINE



THE SINGER COMPANY

Copyright © 1965 by The Singer Company
Copyright Under International Copyright Union
All Rights Reserved under Inter-American Copyright Union
A Trademark of The Singer Company Printed in U. S. A.

Insert in Singer Form 21315 Service Manual Class 281



NUMBER	DESCRIPTION
69(850)	Pre
144(804)	Scr
152(819)	Th
152(819)	Th
152(819)	Th
157(805)	Mo
157(805)	Mo
157(805)	Mo
158(813)	Bo
158(805)	Fe
185(809)	Gr
189(805)	Oil
190(809)	Pre
190(805)	Slo
197(819)	Oil
197(805)	Se
207(805)	Am
217(805)	Oil
228(805)	Oil
233(805)	Rot
440(830)	Top
448(830)	Th
454(830)	Pre
454(830)	Top
457(830)	Top
460(830)	Bus
460(830)	Sha
460(830)	Se
591(806)	Rot
592(805)	Rot
624(830)	Arm
624(830)	Th
624(830)	Fee
624(830)	Bus
624(830)	Se
624(830)	Fee
624(830)	Bus
624(830)	Se
691(850)	Thro
704(809)	Rot
	Cas
	Bra

145312

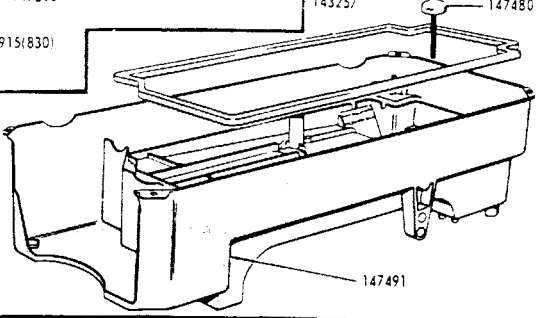
147476 Mated Gears
147473
143015

147106
143064
143065
143066

143295 Mated Gears
143014
143081

147471 Feed Bar
147470
147290
147355
147356
1423(803)X2
21478

147481
147483
143280-001
147482-001
147485
141253(830)
147485
50(803)



NUMERICAL LIST OF PARTS 281-6 MACHINE

NUMBER	DESCRIPTION	NUMBER	DESCRIPTION	NUMBER	DESCRIPTION	NUMBER	DESCRIPTION
53623(809)	Presser Bar Lifting Lever Connecting Rod Nut Lock Nut	140607(819)	Arm Top Cover (back) Stitch Regulator Plunger Hole Plug Screw (for plugging the Plunger hole when the Plunger is removed to prevent tampering with the Stitch Set (for Agents only)	143056	Thread Take-up Lever Roller Bearing(18)	143295	Pair of Gears for Lo Shaft, 143014 and 14 (for Agents only)
64342	Top Gripper Feed Drive Lever (lower and upper) Shaft Collar with 454(830)			143058	Needle Bar Connecting Stud Slide Block	143301-001	Rotating Hook Oil Wick (felt)
64519	Arm Top Cover (back) Stitch Regulator Plunger Spring	140607(819)	Arm Top Cover (front) Stitch Regulator Plunger Hole Plug Screw (for plugging the Plunger Hole when the Plunger is removed to prevent tampering with the Stitch Set (for Agents only)	143061	Oil Flow Body Gasket(2)	143326	Needle Bar Connecting Stud with 140706(805)
64519	Arm Top Cover (front) Stitch Regulator Plunger Spring			143062	Oil Flow Window	143349-001	Rotating Hook Shaft Filter Wick Holder
125320	Rotating Hook Bobbin Case Latch Lever			143063	Oil Flow Window Cap	143351	Rotating Hook Wiper (leather)
140036(803)	Needle Bar Thread Guard Screw			143064	Oil Pipe	143370	Oil Lead
140160(803)	Gripper Feed Holder Connecting Link Hinge Screw	140610(819)	Arm Oil Plug Screw	143065	Oil Pipe Clamping Sleeve	143373	Bell Crank
140160(803)	Gripper Feed Holder Hinge Screw	140610(819)	Thread Take-up Crank Clamping Screw Hole Plug Screw	143066	Oil Pipe Clamping Sleeve Nut	143374	Bell Crank Bracket
140228(805)	Feed Lifting Rock Shaft Crank (back) Clamping Screw	140705(805)	Arm Screw (back)	143070	Oil Pump (centrifugal) Body with 143126 and Bushing	143375	Bell Crank complete 143104, 143373 and 143374 (for Agents only)
140228(805)	Feed Rock Shaft Crank Clamping Screw	140706(805)	Gripper Feed Holder Stop Screw	143071	Oil Pump (centrifugal) Body Position Pin(2)	143378	Stitch Regulator Locking Spring
140230(803)	Feed Lifting Rock Shaft Connecting Rod Hinge Screw	140788(805)	Feed Bar Hinge Pin Clamping Screw(2)	143072	Oil Pump (centrifugal) Cover	143378	Top Gripper Feed Regulator Locking Spring
140230(803)	Feed Rock Shaft Connecting Rod Hinge Screw	140873(803)	Tension Stud	143073	Oil Pump (centrifugal) Impeller	143383	Rotating Hook Oil Flow Regulating Thumb Spring
140231(803)	Needle Bar Connecting Link Cap Screw	140915(830)	Feed Lifting Rock Shaft Crank (front) Clamping Screw	143074	Oil Pump (centrifugal) Screen	143384	Oil Pipe for Oiling Rotating Hook Shaft (front) Bearing
140232(819)	Oil Wick Holder Screw	141143(803)	Top Gripper Feed Connecting Rod Hinge Screw	143075	Oil Pump (centrifugal) Screen Frame	143387	Oil Pipe 143384 with 143124 for oiling Rotating Hook Shaft Front Bearing (for Agents only)
140239(830)	Needle Set Screw	141188(803)	Rotating Hook Oil Flow Regulating Thumb Screw	143081	Rotating Hook Shaft Bevel Gear (left hand spiral) with two 1259(830)	146099	Feed Rock Shaft Crank with 140228(805)
140257(830)	Feed Eccentric Stop Screw (5); stitch. Note: 140257(830) is furnished as regular to machine.	141201(805)	Arm and Bed Leg (back) Screw(2)	143082-001	Rotating Hook Shaft Bushing back	146279-001	Gripper Feed Holder Connecting Link
140279(830)	Arm Shaft (horizontal) Flanged Bushing (front) Set Screw	141202(805)	Arm Shaft (horizontal) Screw Plug (front)	143085	Stitch Regulator	146552	Arm Screw (front and intermediate)(2)
140279(830)	Thread Take-up Link Hinge Stud Set Screw	141208(830)	Thread Take-up Crank Clamping Screw	143085	Top Gripper Feed Regulator	146591	Oil Flow Body
140296(830)	Arm Shaft (horizontal) Bushing (center) Set Screw	141214(803)	Top Gripper Feed Drive Lever Connection Hinge Screw (lower)	143086	Stitch Regulator Locking Slide	146610	Presser Bar Lifting Lever Spring
140297(830)	Arm Shaft (horizontal) Flanged Bushing (back) Set Screw	141214(803)	Top Gripper Feed Drive Lever Connection Hinge Screw (upper)	143086	Top Gripper Feed Regulator Locking Slide	146698	Oil Removing Wick (head end) Holder Bushing
140333(830)	Feed Lifting Eccentric Position Screw	141253(830)	Knee Lifter Rock Shaft Crank Clamping Screw	143087	Stitch Regulator Locking Slide Ratchet Wheel	146745	Oil Removing Wick (head end) Holder Bushing
140343(805)	Machine and Machine Base and Oil Reservoir Screw Hole Plug Screw (for Agents only)	141253(830)	Knee Lifter Stop Dog Clamping Screw	143087	Top Gripper Feed Regulator Locking Slide Ratchet Wheel	146790	Arm Shaft (horizontal) Flanged Bushing (back) Oil Sump Tube with Holder
140350(803)	Knee Lifter Rock Shaft Crank Adjusting Screw	143013	Arm Shaft (upright)	143088	Stitch Regulator Locking Slide Ratchet Wheel Pin	147005-001	Arm Shaft (horizontal) Flanged Bushing (front) with Oil Drain Tube
140359(805)	Feed Lifting Rock Shaft Oil Screw Plug	143014	Arm Shaft (upright) Bevel Gear (lower) right hand spiral with two 1259(830)	143088	Top Gripper Feed Regulator Locking Slide Ratchet Wheel Pin	147011	Arm Top Cover (back) for 147013
140359(805)	Top Gripper Feed Driving Crank Shaft Oil Plug Screw(2)		Note: To ensure proper functioning of Gears, 143014 will not be supplied separately to Agencies, but will be substituted by Pair of Gears 143295	143104	Presser Bar Lifting Lever Connecting Rod Swivel	147013	Arm Top Cover (back) with Stitch Regulator Plunger complete, 13288, 64519, 14701 and 147105
140489(803)	Top Gripper Feed Drive Lever (lower and upper) Shaft Bracket Screw(2)	143015	Arm Shaft (upright) left hand spiral with two 1259(830)	143109	Oil Pipe Clamping Sleeve	147015	Arm Top Cover (back) Gasket
140542(830)	Needle Bar Crank Position Screw		Note: To ensure proper functioning of Gears, 143015 will not be supplied separately to Agencies, but will be substituted by Pair of Gears 147476	143124	Oil Pipe Clamping Sleeve Nut	147024	Feed Bar Carrier Oil Wick Holder with 147025-001
140549(805)	Stitch Regulator Locking Slide Spring Screw	143016-001	Arm Shaft (upright) Bushing (lower) Bed Hole Plug	143125	Oil Pipe Clamping Sleeve Nut	147025-001	Feed Lifting Rock Shaft
140549(805)	Top Gripper Feed Regulator Locking Slide Spring Screw	143024	Bed Hole Plug	143126	Oil Pipe Clamping Sleeve Nut Adaptor	147028	Feed Lifting Rock Shaft Bushing (back and front)(2)
140553(805)	Oil Removing Wick (head end) Holder Body Hinge Screw	143031	Feed Bar Carrier Oil Wick	143134	Stitch Regulator 143085 with 140549(805), 143086 and 143378	147029	Feed Lifting Rock Shaft Collar with two 460
		143031	Top Gripper Feed Driving Crank Shaft Oil Wick (long)	143134	Top Gripper Feed Regulator 143085 with 140549(805), 143086 and 143378	147029	Feed Rock Shaft Collar with two 460(830)
		143040	Feed Lifting Rock Shaft Connecting Rod	143134	Top Gripper Feed Regulator 143085 with 140549(805), 143086 and 143378	147030-001	Feed Lifting Rock Shaft Washer (fiber)
		143049	Feed Rock Shaft Connecting Rod	143226	Top Gripper Feed Driving Crank Shaft Oil Plug Screw Washer (fiber)(2)	147030-001	Feed Lifting Rock Shaft Washer (fiber)
		143056	Needle Bar Connecting Link Roller Bearing(18)	143236	Feed Rock Shaft Oil Screw Plug Washer (fiber)	147033	Feed Lifting Rock Shaft Washer (fiber) 13996, 140359(805), 143236, 147038 and suitable length of 12
				143236	Top Gripper Feed Driving Crank Shaft Oil Plug Screw Washer (fiber)(2)	147037	White Lighter Wick
				143244	Arm Top Cover (back) Spool Pin with Spool Rest, 3 1/2 in. long	147038	Feed Lifting Rock Shaft Oil Wick (short) for Agents only (2)
				143257	Machine Base and Oil Reservoir Gasket (back) Bed Leg (back)	147038	Feed Lifting Rock Shaft Oil Wick (long)
				143268-001	Knee Lifter Rock Shaft	147040-001	Feed Rock Shaft
				143280-001	Knee Lifter Rock Shaft	147041-001	Feed Rock Shaft 147040-001 with 139
				143282	Knee Lifter Rock Shaft Crank Adjusting Screw 140350(803) with 51649(809)		140359(805), 143236 147046 and suitable length of 1229
							White Lighter Wick

NUMERICAL LIST OF PARTS 281-6 MACHINE

NUMBER	DESCRIPTION	NUMBER	DESCRIPTION	NUMBER	DESCRIPTION	NUMBER	DESCRIPTION
147042	Feed Rock Shaft Bushing (back)	147161	Tension Releasing Lever Segment	147476	Pair of Gears for Upper Shaft 143015 and 147473 (for Agents only)	149154	Thread Eyelet and Thread Guard (front of arm)
147043	Feed Rock Shaft Bushing (front)	147166	Slack Thread Regulator Arm Top Cover (front)	147480	Knee Lifter Bell Crank Plunger	149160	Thread Take-up Crank Wearing Plate
147045	Feed Rock Shaft Oil Wick (short) (for Agents only)(2)	147206	Gasket	147481	Knee Lifter Rock Shaft 143280-001 with 147482-001, 147483 and 147485	149161	Thread Take-up Lever Guard
147046	Feed Rock Shaft Oil Wick (long)	147222	Top Gripper Feed Driving Crank Shaft	147482-001	Knee Lifter Rock Shaft Crank with 141253(830) and 143282	149168	Needle Bar (hollow) with 140239(830)
147047	Top Gripper Feed Driving Crank Shaft Feeder Oil Wick Clamping Plate	147223	Top Gripper Feed Driving Crank Shaft 147222 with 197(805), 143031, 147047, 147227, two each 140359(805), 143236 and four 147226	147483	Knee Lifter Rock Shaft Stop Dog with 141253(830)	149172	Rotating Hook (Air Cooled) 149142 with 149064, 149065 and three 1367(805)
147050-001	Needle Bar Connecting Link 147492-002 with 143326 (for Agents only)	147224	Top Gripper Feed Driving Crank Shaft Bushing (back)	147485	Knee Lifter Rock Shaft Spring	149173	Rotating Hook (Air Cooled) 149172 with 149063 and 149153 (for Agents only)
147053	Needle Bar Connecting Stud Oil Wick	147225	Top Gripper Feed Driving Crank Shaft Bushing (front)	147486-001	Arm Shaft (horizontal) Bushing (center) Machine Base and Oil Reservoir	149204	Top Gripper Feed Driving Crank (back) with 50443(830)
147055	Oil Removing Wick (head end) Hinge Plate and Cover Gasket	147226	Top Gripper Feed Driving Crank Shaft Oil Wick (short)(4)	147491	Reservoir	149204	Top Gripper Feed Driving Crank (front) with 50443(830)
147058	Presser Bar Bushing (lower)	147227	Top Gripper Feed Driving Crank Shaft Feeder Oil Wick	147492-002	Needle Bar Connecting Link	149205	Oil Removing Wick (head end) Hinge Plate and Cover with Stop and Clip
147070	Thread Take-up Crank Clamping Screw Hole Plug Gasket	147227	Top Gripper Feed Driving Crank Shaft Oil Wick Holder complete, and two 147141	149030-002	Top Gripper Feed Drive Lever (upper) with 350719(869)	149206	Oil Removing Wick (head end)
147073	Thread Take-up Lever Link Hinge Stud	147245	Presser Bar Lifter Presser Bar Lifting Lever Pin	149042	Top Gripper Feed Connecting Rod		Holder Body complete, 140553(805), 146698, 146745, 147055, 147107 and 149205
147074	Thread Take-up Lever Link Hinge Stud Oil Wick	147247	Feed Lifting Rock Shaft Crank (front) with 140915(830) and Hinge Stud	149046	Top Gripper Feed Regulator Locking Slide	149224	Oil Wick Holder Plug (felt)
147075	Thread Take-up Lever Link Hinge Stud 147073 with 147074	147250	Presser Bar Spring	149060	Ratchet Wheel Retaining Collar with 143098 and two 1259(830)	149227	Presser Bar Bushing (lower) Washer
147077	Thread Take-up Lever Guard Gasket	147291	Presser Bar Lifting Lever Pin	149061	Rotating Hook Bobbin Case 149060 with 591(806), 1380(805) and 40394	149230	Arm Side Shield
147079	Thread Take-up Lever Thread Eyelet Bushing	147292	Tension Stud 140873(803) with two 1560(803)	149063	Rotating Hook Bobbin Case complete, 592(805), 2974, 2975, 40392, 125320 and 149061	149235-003	Needle Bar Thread Guard
147091	Pressure Regulating Thumb Screw and Presser Bar Guide	147293	Tension complete, 32574, 52083, 52394, 147151, 147152, 147292 and two 2102 (for Agents only)	149064	Rotating Hook Bobbin Case Holder	200364(830)	Arm Top Cover (front) Stitch Regulator
147105	Arm Top Cover (back) Stitch Regulator Plunger	147296	Thread Take-up Lever Oil Guard with 143196 and 147053	149065	Rotating Hook Section	264709	Plunger Cap Set Screw
147106	Oil Pipe complete from Oil Pump to Arm Shaft (horizontal) Center Bearing, 143064, 143065 and 143066 (for Agents only)	147355	Feed Bar Carrier with two each 158(805) and 140788(805)	149066	Rotating Hook Thread Guard		Arm Top Cover (front) Stitch Regulator Plunger Cap with 200364(830)
147107	Oil Removing Wick (head end)	147356	Feed Bar Hinge Pin (eccentric)	149074	Feed Lifting Rock Shaft Crank (back) with 140228(805)	272152	Rotating Hook Bobbin Drive Lever (lower) Clamping Screw
147108	Oil Removing Wick (head end) Holder Body 146745 with 146698 and 147107 (for Agents only)	147373	Presser Bar Lifting Lever Link	149121	Machine Base and Oil Reservoir (large) with Knee Lifter Rock Shaft, 143257, 143280-001, 147480, 147482-001, 147483, 147485 and 147491	350719(869)	Top Gripper Feed Drive Lever (upper) Clamping Screw
147111-001	Arm Shaft (upright) Bushing (upper)	147396-003	Face Plate	149124	Rotating Hook Bobbin Case Holder Position Bracket		Note: 149124 is furnished as regular to the machine
147112-001	Arm Shaft (horizontal) Flanged Bushing (back) with Oil Hole Plug	147397	Face Plate Gasket				
147114	Needle Bar Bushing (lower) Thread Eyelet	147397	Presser Bar Guide Bracket with 50203(830)				
147131	Rotating Hook Shaft Oil Retaining Collar with two 50429(830)	147444	Presser Bar Lifting Lever with 454(830)				
147139	Machine Pulley small rim diameter (disc power) "V" belt groove 2.9 in. diam., with two 51283(830) Note: 147139 is regularly furnished.	147445	Presser Bar Lifting Bracket with Position Pin				
147141	Oil Wick, 11 in. long for oiling Take-up Lever, Take-up Lever Link, Needle Bar Connecting Link and Thread Take-up Lever Link Hinge Bearing(2)	147447	Arm Shaft (horizontal) Thrust Collar with two 624(830)				
147151	Tension Releasing Disc	147468	Combination of Feed and Stitch Regulator Parts, 143015, 143040, 143049, 143087, 143134, 147472-002, 147473 and Dummy Shaft (for Agents only)	147469	Feed Bar with Hinge Stud	149141	Rotating Hook (Air Cooled) with Plug, Retaining Disc, Plug Disc, 143301-001 and two 1253(830)
147152	Tension Spring	147471	Feed Bar 147470 with 21478, 147290, 147355, 147356 and two 1423(803)	147472-001	Top Gripper Feed Eccentric with Three 1036(830)	149142	Rotating Hook (Air Cooled) 149141 with 143351, 149066 and four 1053(805)
147159	Tension Releasing Lever Body	147472-002	Feed Eccentric with 1375(830) and 1036(830)	147473	Feed Lifting Eccentric and Arm Shaft (horizontal) Bevel Gear, right hand spiral with 1259(830), 140333(830) and 143088 Note: To ensure proper functioning of Gears, 147473 will not be supplied separately to Agencies, but will be substituted by Pair of Gears 147476	149145	Rotating Hook Shaft with 149153
147160	Tension Releasing Lever Body (adjustable) 147159 with 50123(819) and 147161 (for Agents only)					149149	Rotating Hook Shaft 149148 with 147131
						149150-001	Rotating Hook Shaft Bushing (front) with Plug
						149152	Rotating Hook Shaft Oil Filter Wick
						149153	Rotating Hook Shaft Oil Filter complete, 143349-001 and 149152

NUMERICAL LIST OF PARTS 281-6 MACHINE

NUMBER	DESCRIPTION	NUMBER	DESCRIPTION	NUMBER	DESCRIPTION	NUMBER	DESCRIPTION
69(850)	Presser Bar Lifter Hinge Screw	725(819)	Bed Slide Spring Screw(2)	12431(819)	Bed Slide (for Agents only)	22910	Presser Bar (hollow)
144(804)	Arm Shaft (horizontal) Screw (back)	802(819)	Presser Bar Lifting Lever Hinge Screw	12432	Bed Slide complete, 4307, 12431(819) and two 725(819) for Agents only	22911	Presser Foot (solid), for sewing shirt collars and cuffs, for use with 22903, 22904 and 22914
152(819)	Face Plate Screw(2)	1036(830)	Feed Eccentric Body Set Screw(2)	12990	Needle Bar Bushing (upper)	22912	Thread Take-up Crank and Thread Take-up Lever complete, 22822, 143058, 143326, 140231(803), 147492-002, and eighteen 143056
152(819)	Thread Take-up Lever Guard and Thread Eyelet and Thread Guard Screw (front of arm)	1036(830)	Thread Take-up Crank Set Screw	13288	Arm Top Cover (back) Stitch Regulator Plunger Stop Ring	22913	Thread Take-up Crank and Thread Take-up Lever complete, 22912 and 147075 (for Agents only)
152(819)	Thread Take-up Lever Guard Screw	1036(830)	Top Gripper Feed Eccentric Set Screw(3)	13996	Feed Lifting Rock Shaft Oil Wick with Fastener	22914	Throat Plate (small) needle hole, No. 53 Drill needle hole, No. 5 Needle Position, for sewing shirt collars and cuffs, for use with 22903, 22904 and 22911
157(805)	Magnet Retaining Clamp and Oil Pump (centrifugal) Body Screw	1133(830)	Needle Bar Bushing (lower) Set Screw	13996	Feed Rock Shaft Oil Wick with Fastener		
157(805)	Oil Pump (centrifugal) Body Screw(2)	1133(830)	Needle Bar Bushing (upper) Set Screw	16709	Arm Side Shield Wick Spring Holder		
158(813)	Bell Crank Bracket Screw(2)	1133(805)	Presser Bar Bushing (lower) Set Screw	20437	Top Gripper Feed Drive Lever (lower and upper) Shaft Bracket Screw Washer(2)		
158(805)	Feed Bar Carrier Clamping Screw(2)	1253(830)	Rotating Hook Set Screw(2)	20798-001	Needle Bar Bushing (lower)		
185(809)	Gripper Feed Screw	1259(830)	Arm Shaft (upright) Bevel Gear (lower) Set Screw(2)	21090	Top Gripper Feed Drive Lever (lower and upper) Shaft Bracket		
189(805)	Oil Pump (centrifugal) Screen Frame Screw(4)	1259(830)	Arm Shaft (upright) Bevel Gear (upper) Set Screw(2)	21091	Top Gripper Feed Drive Lever Connection		
190(809)	Presser Foot Screw	1259(830)	Arm Shaft (upright) Bevel Gear (lower) Set Screw(2)	21093	Top Gripper Feed Drive Lever (lower and upper) Shaft		
190(805)	Stack Thread Regulator Screw	1259(830)	Feed Lifting Eccentric Set Screw	21095	Combination of Top Gripper Feed Parts, 1662(819), 141143(803), 143087, 143134, 147472-001, 149042, 149046, two 149204 and Dummy Shaft		
197(819)	Oil Removing Wick (head end) Hinge Plate and Cover Screw(4)	1259(830)	Rotating Hook Shaft Bevel Gear Set Screw(2)	21398-001	Needle Bar (hollow) complete, 140026(803), 149168 and 149225-003. Note: 21398-001 is furnished as regular to machine.		
197(805)	Top Gripper Feed Driving Crank Shaft Feeder Oil Wick Clamping Plate Screw	1285(830)	Rotating Hook Shaft Bushing (back) Set Screw	21478	Feed Bar Connecting Link		
207(805)	Arm Shaft (horizontal) Flanged Bushing (back) Oil Sump Tube Holder Screw	1285(830)	Rotating Hook Shaft Bushing (front) Set Screw	22557	Magnet for removing iron particles from oil		
217(805)	Thread Take-up Lever Oil Guard Screw	1423(803)	Feed Bar Connecting Link Cap Screw(2)	22558	Magnet Retaining Clamp		
228(805)	Feed Bar Carrier Oil Wick Holder Screw(2)	1518(809)	Feed Lifting Rock Shaft Connecting Rod Hinge Screw Nut	22559	Magnet Retaining Clamp 22558 with 22557		
233(805)	Rotating Hook Oil Flow Regulating Thumb Screw Spring Screw	1518(809)	Feed Rock Shaft Connecting Rod Hinge Screw Nut	22589	Arm Top Cover (front)		
440(830)	Top Gripper Feed Driving Crank Shaft Bushing (front) Set Screw	1547(819)	Gripper Feed Holder Connecting Link Hinge Screw Nut	22590	Arm Top Cover (front) with Stitch Regulator Plunger complete, 22589, 22591, 64519 and 264759		
448(830)	Thread Take-up Spring Regulator Set Screw	1547(819)	Gripper Feed Holder Hinge Screw Nut	22766	Arm Side Shield Wick (16 in. long)		
454(830)	Presser Bar Lifting Lever Pin Set Screw	1560(803)	Tension Regulating Thumb Nut	22770	Arm Side Shield complete 16709, 22766 and 149230		
454(830)	Top Gripper Feed Drive Lever (lower and upper) Collar Set Screw	1560(803)	Tension Regulating Thumb Nut Lock Nut	22776	Arm Side Shield Oil Wick Holder 22770 and 147245		
457(830)	Top Gripper Feed Driving Crank Shaft Bushing (back) Set Screw	1662(819)	Top Gripper Feed Connecting Rod Hinge Screw Nut	22822	Thread Take-up Crank with Thread Take-up Lever, Link, 149160, 147079, and eighteen 143056 for Agents only		
460(830)	Feed Lifting Rock Shaft Collar Set Screw(4)	1662(819)	Top Gripper Feed Drive Lever Connection Hinge Screw (lower) Nut	22902	Arm Shaft (horizontal) with Crank 1036(830) and 140542(830)		
460(830)	Feed Rock Shaft Collar Set Screw(2)	2070	Presser Bar Spring Washer	22903	Feed Dog 22 teeth per inch, for sewing shirt collars and cuffs, for use with 22904, 22911 and 22914		
591(806)	Rotating Hook Bobbin Case Tension Regulating Screw	2102	Tension Disc(2)	22905	Gripper Feed Holder		
592(805)	Rotating Hook Bobbin Case Latch Stop Screw	2974	Rotating Hook Bobbin Case Latch Lever Fulcrum Pin	22906	Gripper Feed Holder Spring		
624(830)	Arm Shaft (horizontal) Thrust Collar Set Screw(2)	2975	Rotating Hook Bobbin Case Latch Spring	22907	Gripper Feed Holder Stop		
624(830)	Feed Lifting Rock Shaft Bushing (back and front) Set Screw(2)	4307	Bed Slide Spring				
624(830)	Feed Rock Shaft Bushing (back) Set Screw	8582	Arm Dowel Pin(2)				
624(830)	Feed Rock Shaft Bushing (front) Set Screw	12029	Tension Releasing Lever Spring				
624(830)	Thread Retainer Set Screw	12399	Tension Releasing Lever Hinge Pin				
691(850)	Throat Plate Screw(2)						
704(809)	Rotating Hook Bobbin Case Holder Position Bracket Screw						

SIN 281

